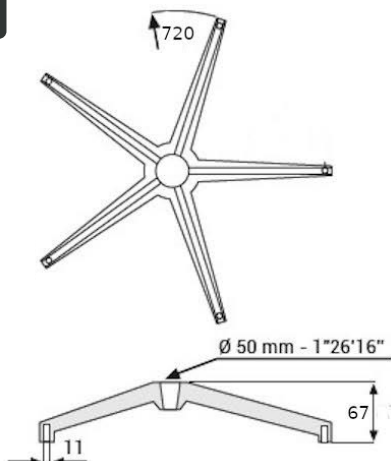




BASTAL72



COMPOSIZIONE KIT / KIT COMPOSITION:

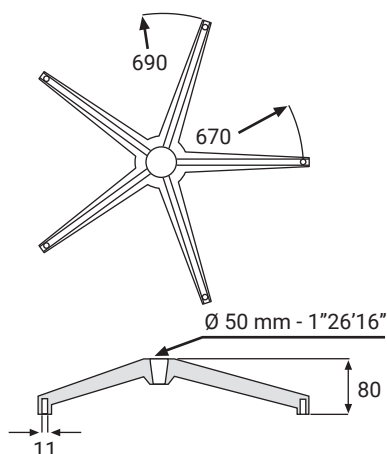
Base STARFISH in alluminio lucidato, Ø720mm foro ruote Ø11mm

STARFISH base in polished aluminum, Ø28,34in castors hole Ø0,43in

Imballo / Packing:

5 pz per cartone / pcs in carton box
Kg 11,8 - m³ 0,167

403



COMPOSIZIONE KIT / KIT COMPOSITION:

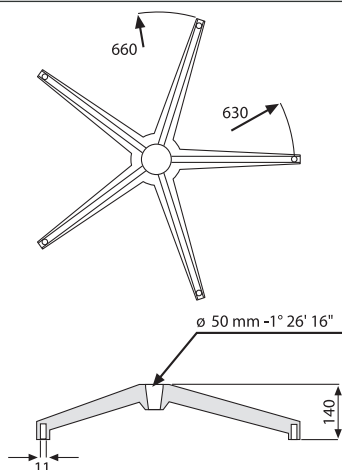
Base piramidale piatta in alluminio lucidato
Ø 690/670 mm
Foro gas Ø 50 mm
foro ruote Ø 11 mm

Flat pyramidal base in polished aluminum
Ø 27.165/26.378 in
Gas hole Ø 1,97 in
castors hole Ø 0,43 in

Imballo / Packing:

5 pz per cartone / pcs in carton box
120 pz per pallet / pcs for pallet
Kg 243 - m³ 2.64

410



COMPOSIZIONE KIT / KIT COMPOSITION:

Base piramidale in alluminio lucidato Ø 660/630 mm
Foro gas Ø 50 mm
foro ruote Ø 11 mm

Pyramidal base in polished aluminum Ø 25.984/24.803 in
Gas hole Ø 1,97 in
castors hole Ø 0,43 in

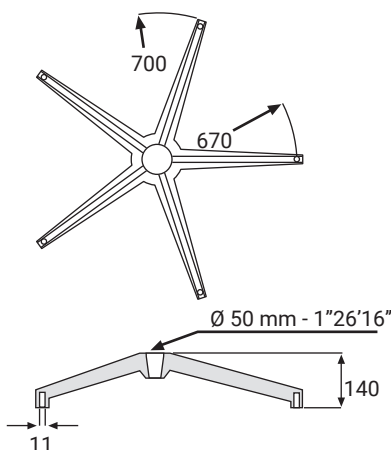
Test e certificazioni / Tests and certifications

Resistenza della base di sedie
ANSI BIFMA X5.1-2002/7
Base test. Static ANSI BIFMA X5.1-2002/7

Imballo / Packing:

5 pz per cartone / pcs in carton box
80 pz per pallet / pcs for pallet
Kg 175 - m³ 2.28

409/M



COMPOSIZIONE KIT / KIT COMPOSITION:

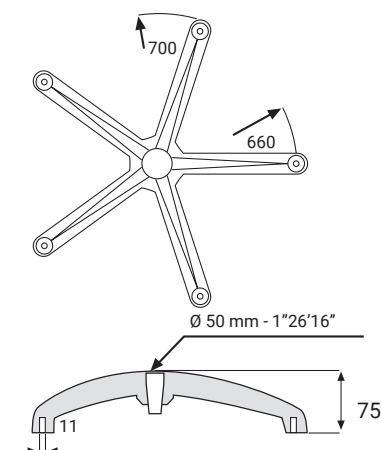
Base piramidale in alluminio lucidato
Ø 700/670 mm
Foro gas Ø 50 mm
foro ruote Ø 11 mm

Pyramidal base in polished aluminum
Ø 27.559/26.377 in
Gas hole Ø 1,97 in
castors hole Ø 0,43 in

Imballo / Packing:

5 pz per cartone / pcs in carton box
80 pz per pallet / pcs for pallet
Kg 178 - m³ 2.84

413

**COMPOSIZIONE KIT / KIT COMPOSITION:**

Base arcuata in alluminio lucidato Ø 700/660 mm
 Foro gas Ø 50 mm
 foro ruote Ø 11 mm

Spider base in polished aluminum Ø 27.559/25.984 in
 Gas hole Ø 1,97 in
 castors hole Ø 0,43 in

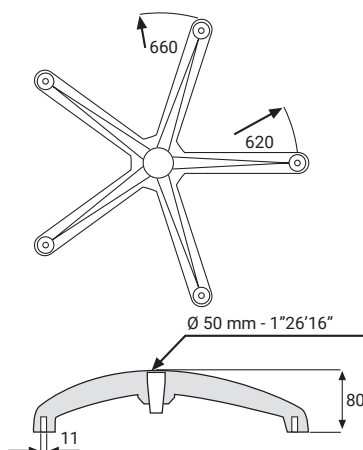
Test e certificazioni / Tests and certifications

Resistenza della base. Statico ANSI BIFMA X5.1-2002/7
 Base test. Static ANSI BIFMA X5.1-2002/7

Imballo / Packing:

5 pz per cartone / pcs in carton box
 100 pz per pallet / pcs for pallet
 Kg 208 - m³ 2.28

414

**COMPOSIZIONE KIT / KIT COMPOSITION:**

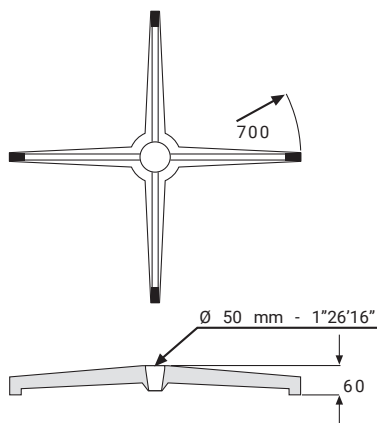
Base arcuata in alluminio lucidato Ø 660/620 mm
 Foro gas Ø 50 mm
 foro ruote Ø 11 mm

Spider base in polished aluminum Ø 25.984/24.409 in
 Gas hole Ø 1,97 in
 castors hole Ø 0,43 in

Imballo / Packing:

5 pz per cartone / pcs in carton box
 100 pz per pallet / pcs for pallet
 Kg 171 - m³ 2.28

408

**COMPOSIZIONE KIT / KIT COMPOSITION:**

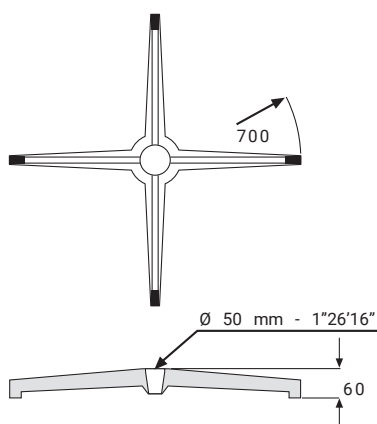
Base 4 razze
 in alluminio lucidato
 con piedini di appoggio applicati
 Ø 700 mm
 Foro gas Ø 50 mm

4-legged base
 in polished aluminum
 with resting feet
 Ø 27.559 in
 Gas hole Ø 1,97 in

Imballo / Packing:

5 pz per cartone / pcs in carton box
 100 pz per pallet / pcs for pallet
 Kg 183 - m³ 2.28

421 + 421/P X 4 PZ

**COMPOSIZIONE KIT / KIT COMPOSITION:**

Base 4 razze in alluminio lucidato ø 700 mm
 Foro gas ø 50 mm
 4-legged base in polished aluminum ø 27.559 in
 Gas hole ø 1.97 in

Finiture disponibili / available options:

- 421 alluminio spazzolato / polished alu
- 421 BIA verniciato bianco/white painted

Optional:

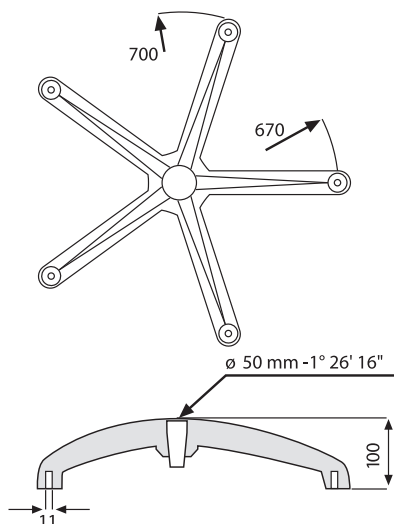
- 421/P piedino per base / foot for base 421

Imballo / Packing:

5 pz per cartone / pcs in carton box
 100 pz per pallet / pcs for pallet
 Kg 186 - m³ 2.28



177/M CR



Sezione tubo tonda Ø 40 mm
Round tube section Ø 40 mm

COMPOSIZIONE KIT / KIT COMPOSITION:

Base arcuata in acciaio cromato Ø 700/670 mm
Foro gas Ø 50 mm
foro ruote Ø 11 mm

Chrome steel "spider" base Ø 27.599/26.377 in
Gas hole Ø 1,97 in
castors hole Ø 0,43 in

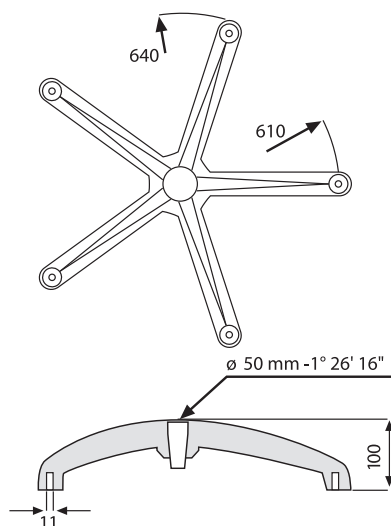
Test e certificazioni / Tests and certifications

Resistenza della base di sedie ANSI BIFMA X5.1-2002/7
Base test. Static ANSI BIFMA X5.1-2002/7

Imballo / Packing:

5 pz per cartone / pcs in carton box
100 pz per pallet / pcs for pallet
Kg 257 - m³ 2.28

177 CR



Sezione tubo tonda Ø 40 mm
Round tube section Ø 40 mm

COMPOSIZIONE KIT / KIT COMPOSITION:

Base arcuata in acciaio cromato Ø 640/610 mm
Foro gas Ø 50 mm
foro ruote Ø 11 mm

Chrome steel "spider" base Ø 25.197/24.016 in
Gas hole Ø 1,97 in
castors hole Ø 0,43 in

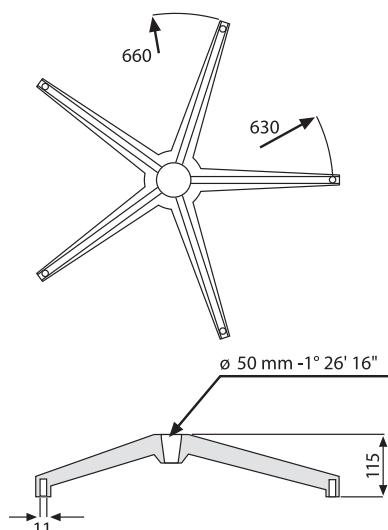
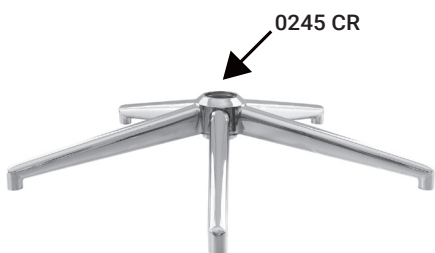
Test e certificazioni / Tests and certifications

Resistenza della base di sedie ANSI BIFMA X5.1-2002/7
Base test. Static ANSI BIFMA X5.1-2002/7

Imballo / Packing:

5 pz per cartone / pcs in carton box
100 pz per pallet / pcs for pallet
Kg 220 - m³ 2.28

178/CR + 0245 CR



COMPOSIZIONE KIT / KIT COMPOSITION:

Base piramidale in acciaio cromato
coprisaldatura cromato (0245 CR) Ø 660/630 mm
Foro gas Ø 50 mm
foro ruote Ø 11 mm

Chrome steel "pyramidal" base
chromed dust cover Ø 25.590/24.803 in
Gas hole Ø 1,97 in
castors hole Ø 0,43 in

Test e certificazioni / Tests and certifications

Resistenza della base di sedie ANSI BIFMA X5.1-2002/7
Base test. Static ANSI BIFMA X5.1-2002/7

Imballo / Packing:

5 pz per cartone / pcs in carton box
100 pz per pallet / pcs for pallet
Kg 223 - m³ 2.28