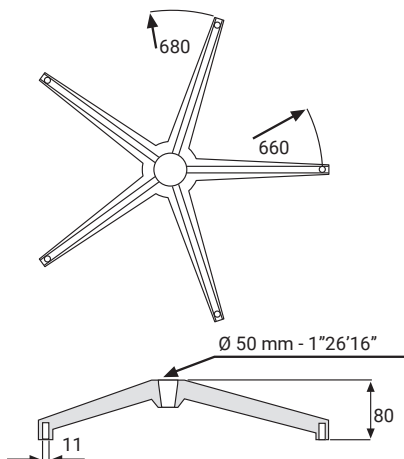


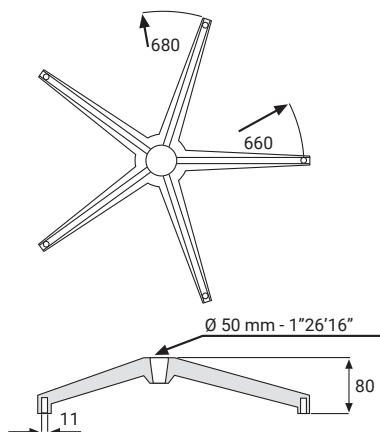
**402**

Base piana in nylon caricato fibra di vetro (PA6+30%FV) con anello in acciaio Ø 680/660 mm Foro gas Ø 50 mm foro ruote Ø 11 mm

Flat base in fiberglass nylon (PA6+30%GF) with steel ring Ø 26.377/25.591 in Gas hole Ø 1,97 in castors hole Ø 0,43 in

**Imballo / Packing:**

225 pz per pallet / pcs for pallet  
Kg 420 - m<sup>3</sup> 2.3

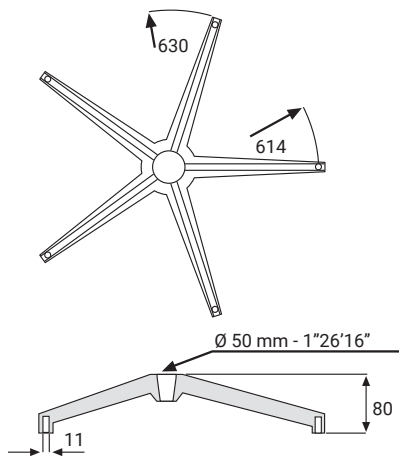
**402 BIA**

Base piatta in nylon caricato fibra di vetro (PA6+30%FV) con anello in acciaio colore bianco Ø 680/660 mm Foro gas Ø 50 mm foro ruote Ø 11 mm

Flat base in fiberglass nylon (PA6+30%GF) with steel ring, white colour Ø 26.377/25.591 in Gas hole Ø 1,97 in castors hole Ø 0,43 in

**Imballo / Packing:**

225 pz per pallet / pcs for pallet  
Kg 420 - m<sup>3</sup> 2.3

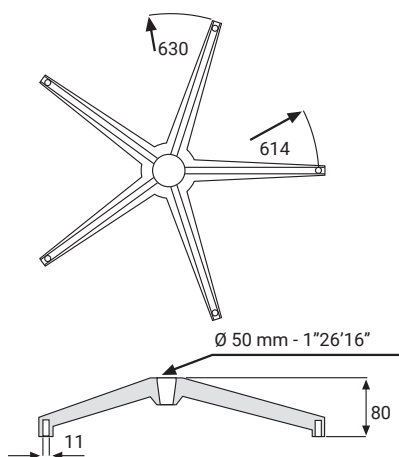
**425**

Base piana in nylon caricato fibra di vetro (PA6+30%FV) con anello in acciaio Ø 630/614 mm Foro gas Ø 50 mm foro ruote Ø 11 mm

Flat base in fiberglass nylon (PA6+30%GF) with steel ring Ø 24.803/24.173 in Gas hole Ø 1,97 in castors hole Ø 0,43 in

**Imballo / Packing:**

225 pz per pallet / pcs for pallet  
Kg 310 - m<sup>3</sup> 2.3

**425 BIA**

Base piana in nylon caricato fibra di vetro (PA6+30%FV) con anello in acciaio colore bianco Ø 630/614 mm Foro gas Ø 50 mm foro ruote Ø 11 mm

Flat base in fiberglass nylon (PA6+30%GF) with steel ring, white colour Ø 24.803/24.173 in Gas hole Ø 1,97 in castors hole Ø 0,43 in

**Imballo / Packing:**

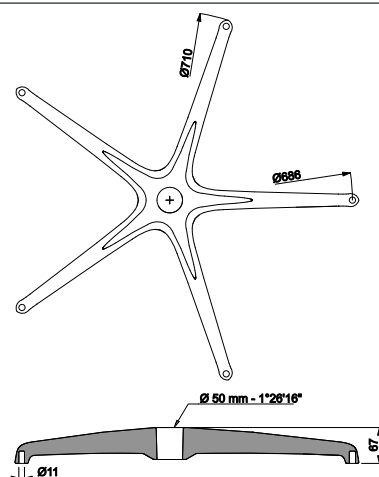
225 pz per pallet / pcs for pallet  
Kg 310 - m<sup>3</sup> 2.3



## BASTPB71



Organic design



Base "STARFISH" in nylon caricato fibra di vetro (PA6+30%FV) con anello in acciaio Ø 710/690 mm Foro gas Ø 50 mm foro ruote Ø 11 mm

"STARFISH" base in fibreglass nylon (PA6+30%GF) with steel ring Ø 27.953/27.16 in Gas hole Ø 1,97 in castors hole Ø 0,43 in

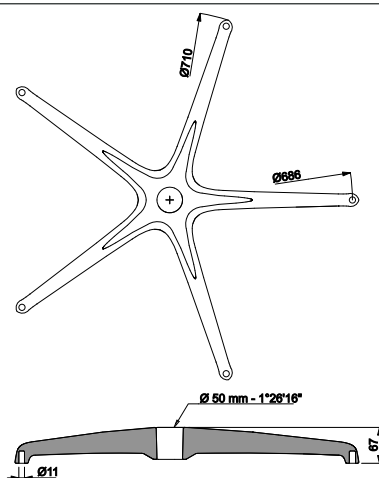
**Imballo / Packing:**

120 pz per pallet / pcs for pallet  
Kg 245 - m<sup>3</sup> 2.64

## BASTPW71



Organic design



Base "STARFISH" in nylon caricato fibra di vetro (PA6+30%FV) con anello in acciaio, colore bianco Ø 710/690 mm Foro gas Ø 50 mm foro ruote Ø 11 mm

"STARFISH" base in fibreglass nylon (PA6+30%GF) with steel ring, white colour Ø 27.953/27.16 in Gas hole Ø 1,97 in castors hole Ø 0,43 in

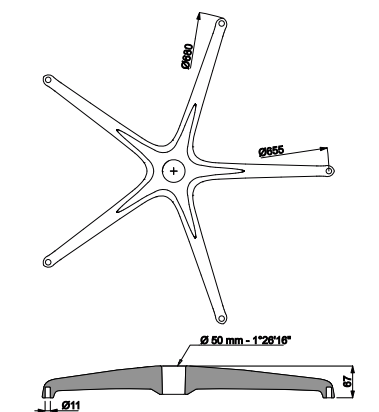
**Imballo / Packing:**

120 pz per pallet / pcs for pallet  
Kg 245 - m<sup>3</sup> 2.64

## BASTPB68



Organic design



Base "STARFISH" in nylon caricato fibra di vetro (PA6+30%FV) con anello in acciaio Ø 680/660 mm Foro gas Ø 50 mm foro ruote Ø 11 mm

"STARFISH" base in fibreglass nylon (PA6+30%GF) with steel ring Ø 26.771/25.984 in Gas hole Ø 1,97 in castors hole Ø 0,43 in

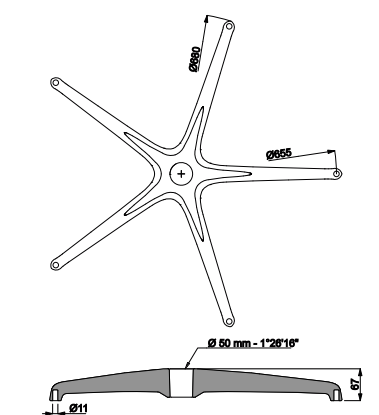
**Imballo / Packing:**

120 pz per pallet / pcs for pallet  
Kg 225 - m<sup>3</sup> 2.64

## BASTPW68



Organic design



Base "STARFISH" in nylon caricato fibra di vetro (PA6+30%FV) con anello in acciaio, colore bianco Ø 680/660 mm Foro gas Ø 50 mm foro ruote Ø 11 mm

"STARFISH" base in fibreglass nylon (PA6+30%GF) with steel ring, white colour Ø 26.771/25.984 in Gas hole Ø 1,97 in castors hole Ø 0,43 in

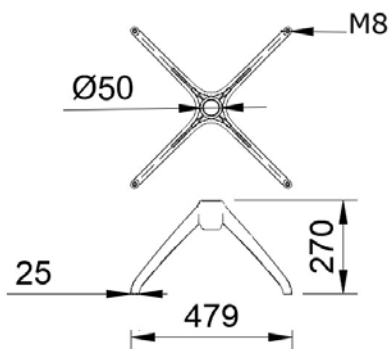
**Imballo / Packing:**

120 pz per pallet / pcs for pallet  
Kg 225 - m<sup>3</sup> 2.64

## BAFLPB01



Organic design



Base a trespolo FLAMINGO 4 razze in plastica nera

FLAMINGO Trestle 4 legs base in black plastic

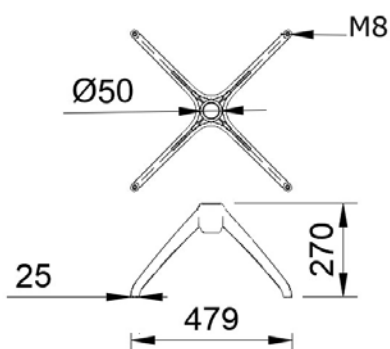
### Imballo / Packing:

4 pz per cartone / pcs in carton box  
Kg 9,8 - m<sup>3</sup> 0.10

## BAFLPW01



Organic design



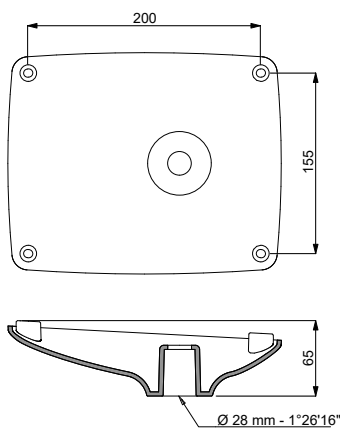
Base a trespolo FLAMINGO 4 razze in plastica bianca

FLAMINGO Trestle 4 legs base in white plastic

### Imballo / Packing:

4 pz per cartone / pcs in carton box  
Kg 9,8 - m<sup>3</sup> 0.10

## ACFLPB00



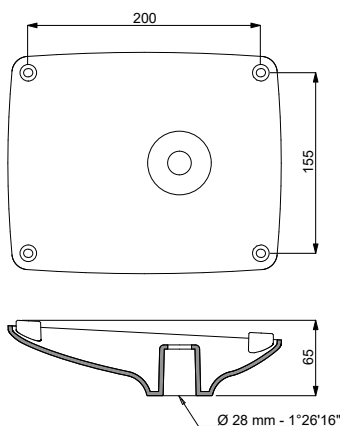
Piastra nera caricato fibra di vetro (PA6+30%FV) con anello in acciaio colore nero 155x200 mm

Flat black base in fiberglass nylon (PA6+30%GF) with steel ring, black colour 61.023x78.740 in

### Imballo / Packing:

10 pz per cartone / pcs in carton box  
Kg 4 - m<sup>3</sup> 0.06

## ACFLPW00



Piastra bianca caricato fibra di vetro (PA6+30%FV) con anello in acciaio colore nero 155x200 mm

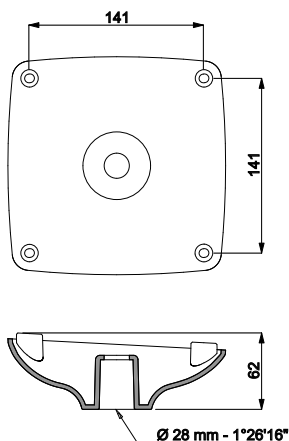
Flat white base in fiberglass nylon (PA6+30%GF) with steel ring, black colour 61.023x78.740 in

### Imballo / Packing:

10 pz per cartone / pcs in carton box  
Kg 4 - m<sup>3</sup> 0.06



### ACFLPB01



Piastra nera in nylon caricato fibra di vetro (PA6+30%FV) con anello in acciaio 141x141 mm

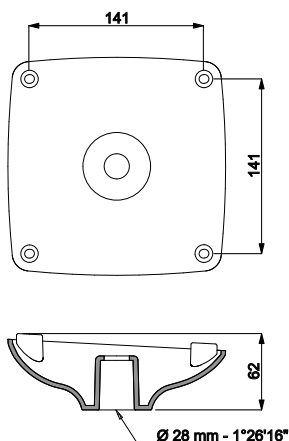
Flat black base in fibreglass nylon (PA6+30%GF) with steel ring 55.512x55.512 in

**Imballo / Packing:**

10 pz per cartone / pcs in carton box

Kg 3.4 - m<sup>3</sup> 0.06

### ACFLPW01



Piastra bianca in nylon caricato fibra di vetro (PA6+30%FV) con anello in acciaio 141x141 mm

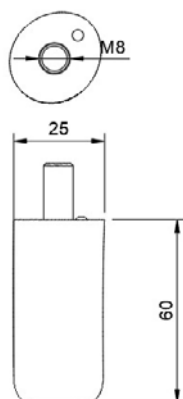
Flat white base in fibreglass nylon (PA6+30%GF) with steel ring 55.512x55.512 in

**Imballo / Packing:**

10 pz per cartone / pcs in carton box

Kg 3.4 - m<sup>3</sup> 0.06

### BAFLFB01



Kit piedini neri per base Flamingo con viti M8 di fissaggio (4 pz)

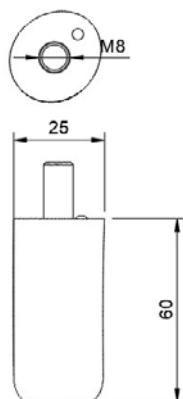
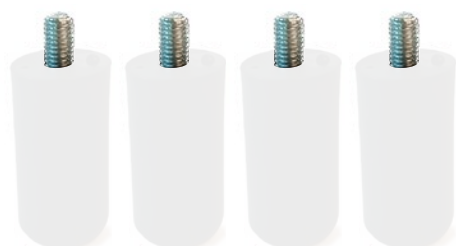
Black feet kit for Flamingo base with M8 screws for fixing (4 pcs)

**Imballo / Packing:**

25 kit per cartone / kit per carton box

Kg 5,8 - m<sup>3</sup> 0.10

### BAFLFW01



Kit piedini neri per base Flamingo con viti M8 di fissaggio (4 pz)

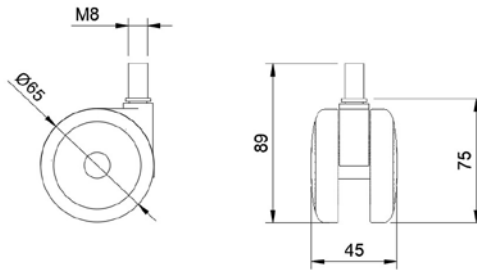
Black feet kit for Flamingo base with M8 screws for fixing (4 pcs)

**Imballo / Packing:**

25 kit per cartone / kit per carton box

Kg 5,8 - m<sup>3</sup> 0.10

## BAFLCB01



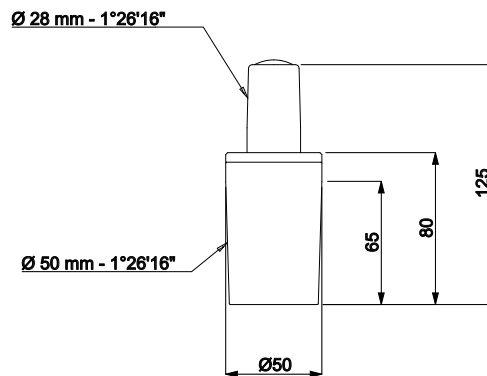
Kit ruote per base Flamingo con perno filettato M8 (4 pz)

Caster kit for Flamingo base with threaded M8 pin (4 pcs)

**Imballo / Packing:**

25 kit per cartone / kit per carton box  
Kg 14,5 - m<sup>3</sup> 0,03

## ACFLCB00



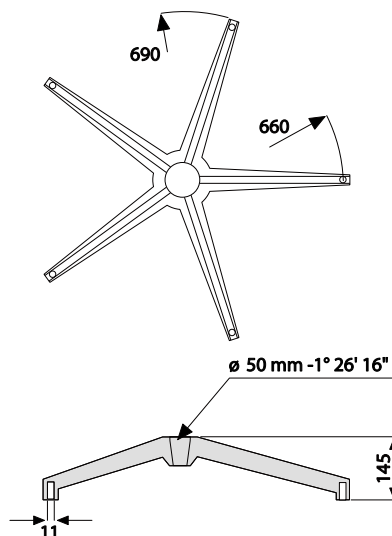
Meccanismo di rotazione semplice per Flamingo, cono Ø 28mm.

Simple rotation mechanism for Flamingo base, cone Ø 1.102 in.

**Imballo / Packing:**

20 pz per cartone / pcs in carton box  
Kg 7,8 - m<sup>3</sup> 0,011

## BAORPB69



Base piramidale "ORANGE" in nylon caricato fibra di vetro (PA6+30%FV) con anello in acciaio Ø 690/670 mm Foro gas Ø 50 mm foro ruote Ø 11 mm

Flat base in fibreglass nylon (PA6+30%GF) with steel ring Ø 27.165/26.378 in Gas hole Ø 1,97 in castors hole Ø 0,43 in

**Imballo / Packing:**

195 pz per pallet / pcs for pallet  
Kg 400 - m<sup>3</sup> 3,542