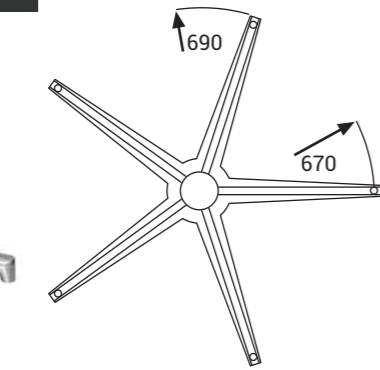


403



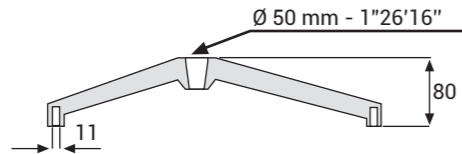
COMPOSIZIONE KIT / KIT COMPOSITION:

Base piramidale piatta
in alluminio lucidato
Ø 690/670 mm
Foro gas Ø 50 mm
foro ruote Ø 11 mm

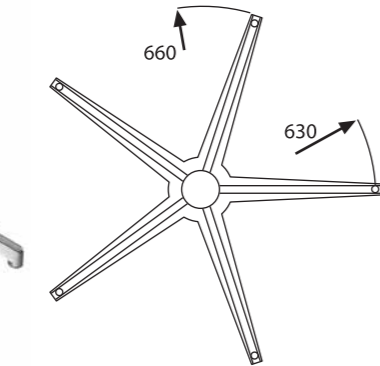
Flat pyramidal base
in polished aluminum
Ø 27.165/26.378 in
Gas hole Ø 1,97 in
castors hole Ø 0,43 in

Imballo / Packing:

5 pz per cartone / pcs in carton box
100 pz per pallet / pcs for pallet
Kg 205 - m³ 2.28



410



COMPOSIZIONE KIT / KIT COMPOSITION:

Base piramidale in alluminio lucidato Ø 660/630 mm
Foro gas Ø 50 mm
foro ruote Ø 11 mm

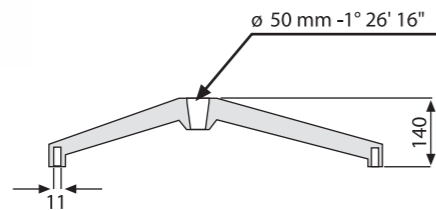
Pyramidal base in polished aluminum Ø 25.984/24.803 in
Gas hole Ø 1,97 in
castors hole Ø 0,43 in

Test e certificazioni / Tests and certifications

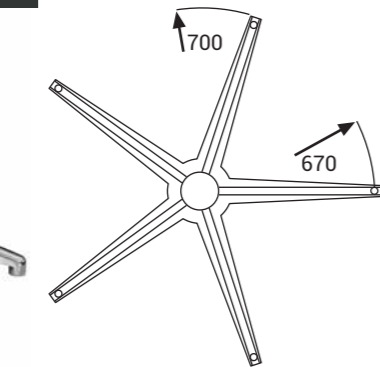
Resistenza della base di sedia
ANSI BIFMA X5.1-2002/7
Base test. Static ANSI BIFMA X5.1-2002/7

Imballo / Packing:

5 pz per cartone / pcs in carton box
80 pz per pallet / pcs for pallet
Kg 168 - m³ 2.28



409



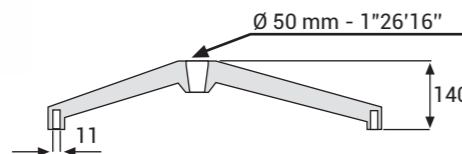
COMPOSIZIONE KIT / KIT COMPOSITION:

Base piramidale
in alluminio lucidato
Ø 700/670 mm
Foro gas Ø 50 mm
foro ruote Ø 11 mm

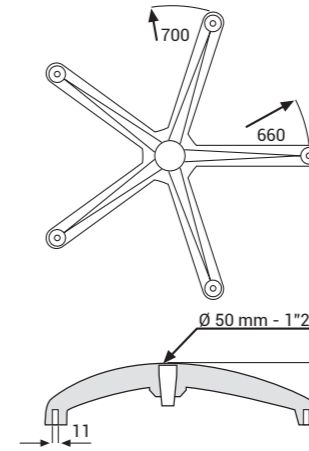
Pyramidal base
in polished aluminum
Ø 27.559/26.377 in
Gas hole Ø 1,97 in
castors hole Ø 0,43 in

Imballo / Packing:

5 pz per cartone / pcs in carton box
80 pz per pallet / pcs for pallet
Kg 178 - m³ 2.28



413



COMPOSIZIONE KIT / KIT COMPOSITION:

Base arcuata in alluminio lucidato Ø 700/660 mm
Foro gas Ø 50 mm
foro ruote Ø 11 mm

Spider base in polished aluminum Ø 27.559/25.984 in
Gas hole Ø 1,97 in
castors hole Ø 0,43 in

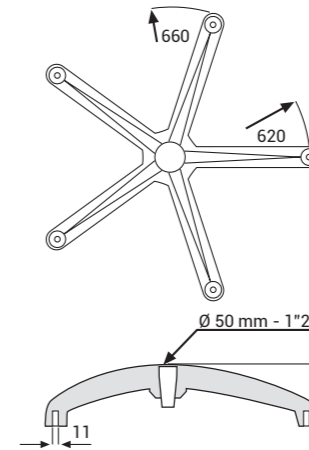
Test e certificazioni / Tests and certifications

Resistenza della base. Statico ANSI BIFMA X5.1-2002/7
Base test. Static ANSI BIFMA X5.1-2002/7

Imballo / Packing:

5 pz per cartone / pcs in carton box
100 pz per pallet / pcs for pallet
Kg 223 - m³ 2.28

414



COMPOSIZIONE KIT / KIT COMPOSITION:

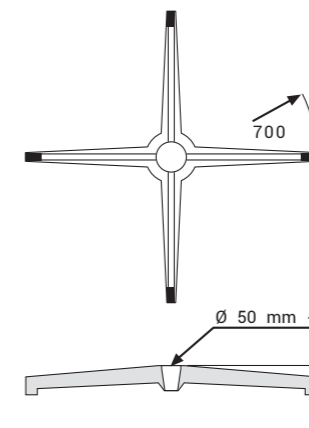
Base arcuata in alluminio lucidato Ø 660/620 mm
Foro gas Ø 50 mm
foro ruote Ø 11 mm

Spider base in polished aluminum Ø 25.984/24.409 in
Gas hole Ø 1,97 in
castors hole Ø 0,43 in

Imballo / Packing:

5 pz per cartone / pcs in carton box
100 pz per pallet / pcs for pallet
Kg 194 - m³ 2.28

408



COMPOSIZIONE KIT / KIT COMPOSITION:

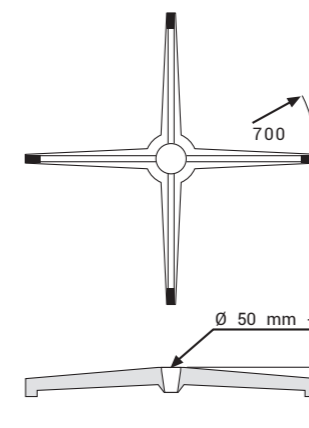
Base 4 razze
in alluminio lucidato
con piedini di appoggio applicati
Ø 700 mm
Foro gas Ø 50 mm

4-legged base
in polished aluminum
with resting feet
Ø 27.559 in
Gas hole Ø 1,97 in

Imballo / Packing:

5 pz per cartone / pcs in carton box
100 pz per pallet / pcs for pallet
Kg 183 - m³ 2.28

421 + 421/P X 4 PZ



COMPOSIZIONE KIT / KIT COMPOSITION:

Base 4 razze in alluminio lucidato Ø 700 mm
Foro gas Ø 50 mm
4-legged base in polished aluminum Ø 27.559 in
Gas hole Ø 1,97 in

Finiture disponibili / available options:

- 421 alluminio spazzolato / polished alu
- 421 BIA verniciato bianco/white painted

Optional:

- 421/P piedino per base / foot for base 421

Imballo / Packing:

5 pz per cartone / pcs in carton box
100 pz per pallet / pcs for pallet
Kg 186 - m³ 2.28