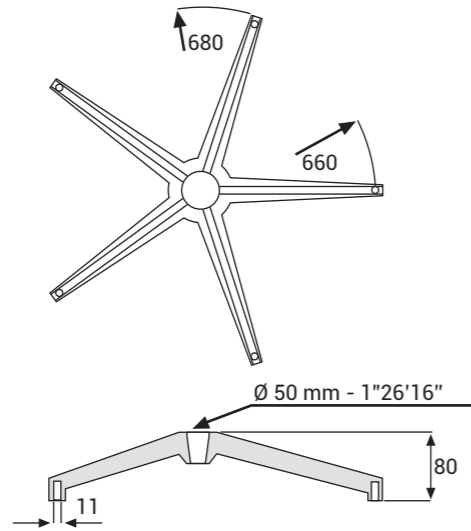


402

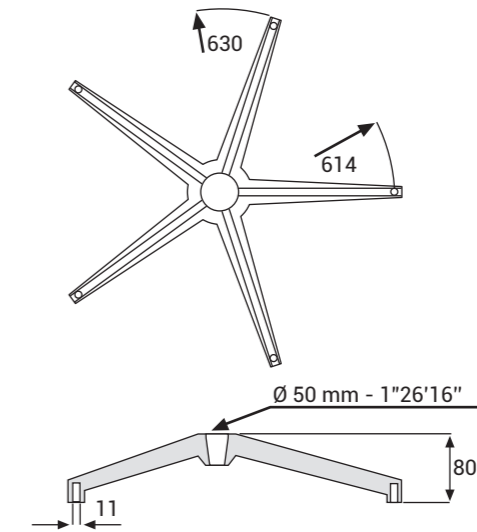


Base piana
in nylon caricato fibra di vetro
(PA6+30%FV)
con anello in acciaio
Ø 680/660 mm
Foro gas Ø 50 mm
foro ruote Ø 11 mm

Flat base
in fiberglass nylon
(PA6+30%GF)
with steel ring
Ø 26.377/25.591 in
Gas hole Ø 1,97 in
castors hole Ø 0,43 in

Imballo / Packing:
225 pz per pallet / pcs for pallet
Kg 420 - m³ 2.3

425 BIA

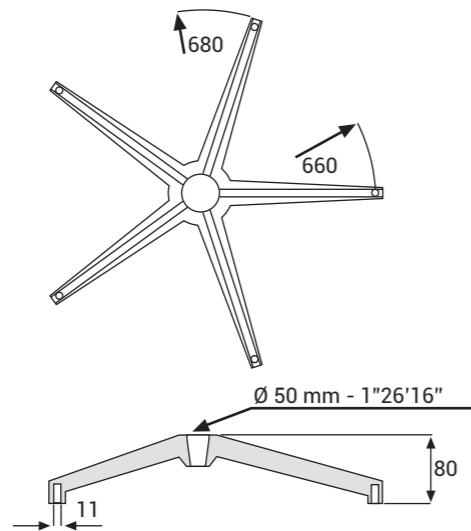


Base piatta
in nylon caricato fibra di vetro
(PA6+30%FV)
con anello in acciaio
colore bianco
Ø 630/614 mm
Foro gas Ø 50 mm
foro ruote Ø 11 mm

Flat base
in fiberglass nylon
(PA6+30%GF)
with steel ring,
white colour
Ø 24.803/24.173 in
Gas hole Ø 1,97 in
castors hole Ø 0,43 in

Imballo / Packing:
225 pz per pallet / pcs for pallet
Kg 310 - m³ 2.3

402 BIA

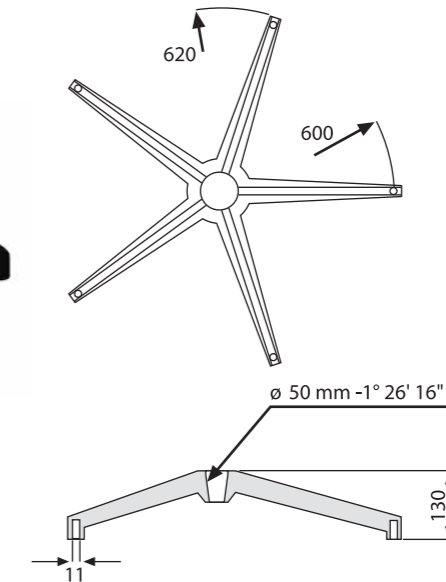


Base piatta
in nylon caricato fibra di vetro
(PA6+30%FV)
con anello in acciaio
colore bianco
Ø 680/660 mm
Foro gas Ø 50 mm
foro ruote Ø 11 mm

Flat base
in fiberglass nylon
(PA6+30%GF)
with steel ring,
white colour
Ø 26.377/25.591 in
Gas hole Ø 1,97 in
castors hole Ø 0,43 in

Imballo / Packing:
225 pz per pallet / pcs for pallet
Kg 420 - m³ 2.3

175



Base piramidale in nylon caricato
fibra di vetro (PA6+30%FV)
anello in acciaio
Ø 620/600 mm
Foro gas Ø 50 mm
foro ruote Ø 11 mm

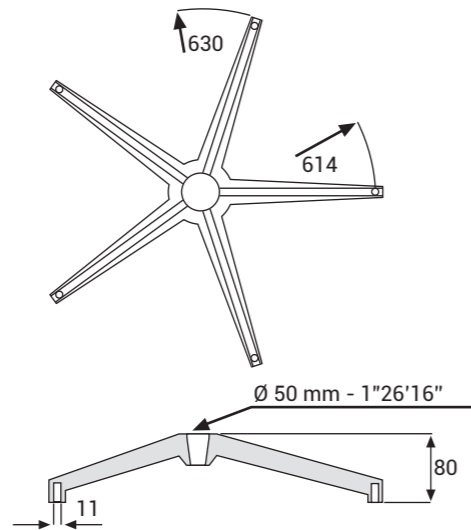
Pyramidal base in fiberglass nylon
(PA6+30%GF)
with steel ring
Ø 24.409/23.622 in
Gas hole Ø 1,97 in
castors hole Ø 0,43 in

Test e certificazioni
Tests and certifications

Resistenza della base di sedia
ANSI BIFMA X5.1-2002/7
Base test. Static
ANSI BIFMA X5.1-2002/7

Imballo / Packing:
180 pz per pallet / pcs for pallet
Kg 270 - m³ 2.45

425

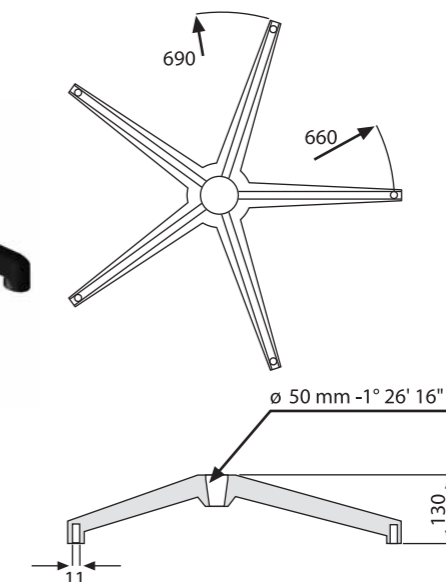


Base piana
in nylon caricato fibra di vetro
(PA6+30%FV)
con anello in acciaio
Ø 630/614 mm
Foro gas Ø 50 mm
foro ruote Ø 11 mm

Flat base
in fiberglass nylon
(PA6+30%GF)
with steel ring
Ø 24.803/24.173 in
Gas hole Ø 1,97 in
castors hole Ø 0,43 in

Imballo / Packing:
225 pz per pallet / pcs for pallet
Kg 310 - m³ 2.3

176



Base piramidale in nylon caricato
fibra di vetro (PA6+30%FV)
anello in acciaio
Ø 690/660 mm
Foro gas Ø 50 mm
foro ruote Ø 11 mm

Pyramidal base in fiberglass nylon
(PA6+30%GF)
with steel ring
Ø 27.165/25.984 in
Gas hole Ø 1,97 in
castors hole Ø 0,43 in

Test e certificazioni
Tests and certifications

Resistenza della base di sedia
ANSI BIFMA X5.1-2002/7
Base test. Static
ANSI BIFMA X5.1-2002/7

Imballo / Packing:
100 pz per pallet / pcs for pallet
Kg 165 - m³ 2.52